

# LCN®

## 4031 Series

Door controls



Fire Rated: Tested on fire door assemblies in accordance with Australian Standards, refer fire door manufacturer for specific approval details

The 4031 Series is a non-handed, surface mounted closer. The choice of three mountings, installation accessories and ease of installation offer a versatile solution to door control in moderate traffic applications. The 4031 Series has been designed to be used on aluminium, hollow metal or timber swinging commercial interior/exterior doors and is ideally suited for apartment entrance, office, storeroom or toilet doors.

### Features

- Universal, fully reversible, non-handed door closer
- Closer cylinder constructed of high strength cast iron for increased durability
- Tested to 1,500,000 cycles
- Fully adjustable 1-4 strength
- Factory set to strength 3
- Standard closer offers 3 installation options
  - Regular (pull side)
  - Top jamb (push side)
  - Parallel arm (push side)
- Independent adjustment valves for backcheck, closing and latching speeds
- All adjustment valves are concealed behind the cover to prevent tampering
- Closers installed according to LCN installation instructions require minimal periodic maintenance or adjustments
- The 30 year warranty provides specifiers and users with assured quality and performance

## Specification guide

Series	Function	Finish
LCN 4031 Series ..... LCN4031	Regular ..... R Hold open ..... HO	Aluminium ..... ALUM

- Series  
Select the desired series e.g. LCN 4031 Series ..... LCN4031
- Function  
Select the required function ..... LCN4031HO
- Finish  
Select the desired finish e.g. Aluminium ..... LCN4031HOALUM

## Selection chart

Select strength based on width of door

Strength	Exterior door	Interior door
1 - 2	NA	660mm - 864mm
3	660mm - 762mm	864mm - 965mm
4	762mm - 914mm	965mm - 1219mm

### Specifications

<b>Door type</b>	Timber or metal
<b>Door size</b>	External door 660mm - 914mm Internal door 660mm - 1219mm
<b>Applications</b>	Regular - pull side mount Parallel arm - push side mount Top jamb - push side mount
<b>Adjustment controls</b>	Closing speed Latching speed Backcheck
<b>Strength</b>	1-4 adjustable
<b>Options</b>	Hold open arm Adaptor plate Parallel arm drop plate Square metal cover
<b>Finishes</b>	Aluminium Satin stainless steel (optional cover only) Polished stainless steel (optional cover only)
<b>Warranty</b>	30 year mechanical



The LCN 4031 closer is designed for reduced opening force which when set to a 1 strength make it suitable for use by people who are frail, aged or disabled. This closer can operate at between 14 - 20Nm from initial opening up to 90°

**Caution!** Where door closers are installed and adjusted to meet reduced opening force requirements, there may be insufficient power to reliably close and latch the door, depending on prevailing operating conditions

**Note** In areas of high wind pressure and/or air conditioning pressures or doors located in exceptionally heavy traffic or oversized/heavy doors, the LCN 4041 Series closers or LCN automatic door operators are recommended

## Regulating controls

The LCN 4031 has independent regulators to control:

<b>Closing speed</b>	Adjustment to increase or decrease the speed at which the door closes. This allows the appropriate momentum to close the door in a safe and secure manner. Closing speed adjustment operates from the maximum opening to 15°
<b>Latching speed</b>	The latching speed allows the door to close quietly and firmly. It can be adjusted to increase or decrease the speed at which the door finally closes. This assists the final stage of the closing cycle to help overcome stubborn latch bolts or air pressure conditions. Alternatively the latching speed can be decreased to cushion the door into the frame. The latching speed adjustment operates from 15° to closing. A further option to increase the latching power is to reverse the arm bracket shoe
<b>Backcheck</b>	Adjustable hydraulic backcheck provides a cushioning effect when the door is forcibly thrown open to prevent damage to the closer, door and frame. The backcheck adjustment allows the level of resistance in the latter stage of opening to be set at the level required. Backcheck is effective from 75°. Backcheck is a requirement for all fire rated closers
<b>Power adjustment</b>	Spring strength may be increased or decreased by turning the allen head screw located in the end of the door closer body

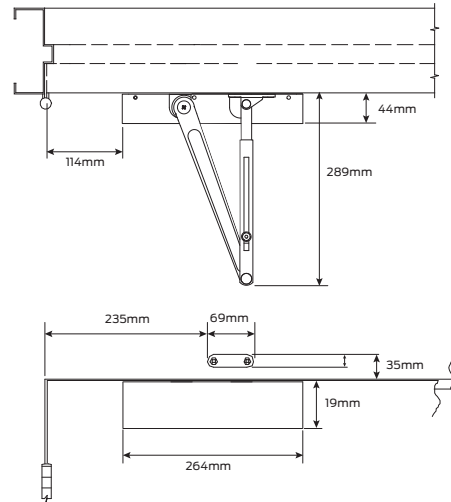
## Functions

<b>Regular</b>	For applications where the door must fully close after each opening
<b>Hold open</b>	Suitable for doors where the door may need to be left in a hold open position. The hold open function can be set to stay open at a single point. Hold open closers can not be used on fire doors

# Mounting details

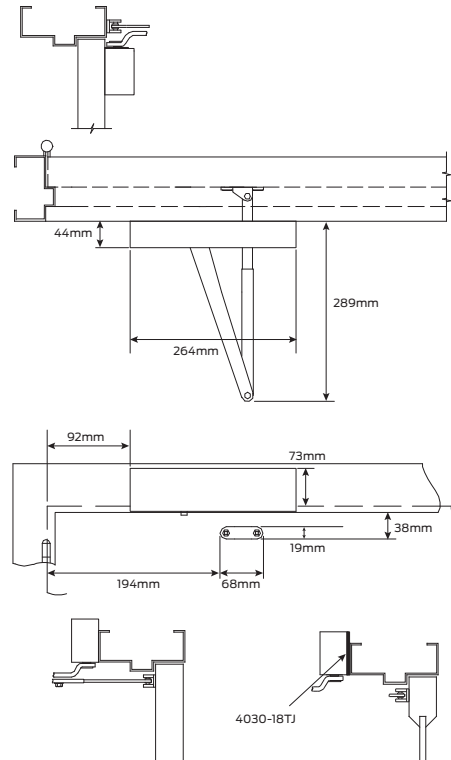
## Regular (pull side) mounting

Templating allows a maximum opening of 180°. The hold open arm allows the door to be set at a given hold open point up to the maximum opening. The reveal should not exceed 6mm for both regular and hold open arms. A top rail less than 60mm requires adaptor plate. The adaptor plate requires a top rail of 44mm. A clearance of 41mm behind the door is required for 180° installations



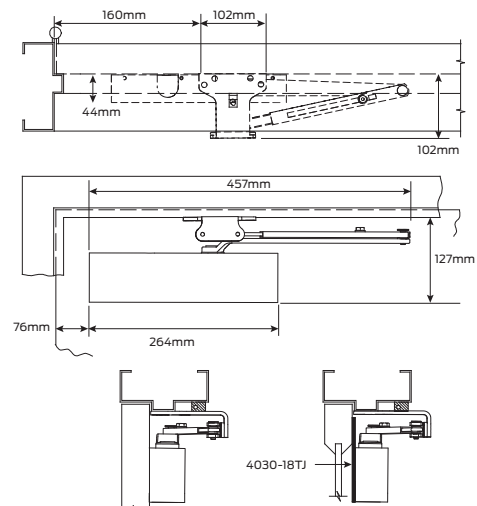
## Top jamb (push side) mounting

Templating allows a maximum opening of 180°. The hold open arm allows the door to be set at a given hold open point up to the maximum opening. A reveal up to 102mm allows 180° opening. A top rail of 38mm is required for top jamb mounting. For situations where the head frame is less than 57mm, an adaptor plate is required. The adaptor plate requires a 38mm minimum head frame



## Parallel arm (push side) mounting

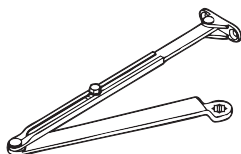
Templating allows a maximum opening of 180°. The hold open arm allows the door to be set at a given hold open point up to the maximum opening. Clearance for the PA Shoe is 102mm from door face. A top rail less than 114mm measured from the stop requires a drop plate. The drop plate requires a 44mm top rail. Minimum stop width is 25mm



## 4031 Series accessories

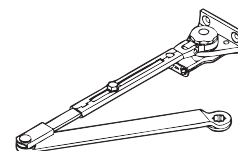
### Regular arm 4030-3077

Standard, non-handed arm for regular and top jamb mounting configurations. For parallel arm mounting, a PA Shoe is also required  
**Finish:** Aluminium



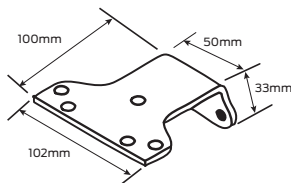
### Hold open arm 4030-3049

Non-handed, hold open arm for regular and top jamb mounting configurations. For parallel arm mounting, a PA Shoe is also required. Hold open adjustable at shoe  
**Finish:** Aluminium



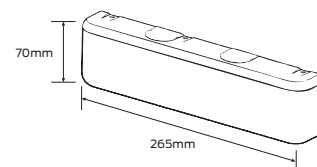
### PA shoe 4030-62PA

Required for parallel arm mounting configurations



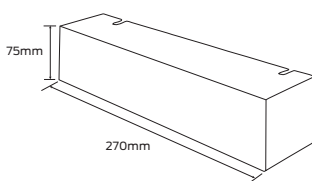
### Metal cover 4030-72

Standard, non-handed cover, providing complete enclosure of closer body.  
**Finish:** Aluminium



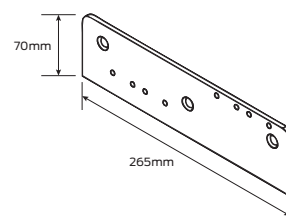
### Square metal cover 4030-MC

Non-handed cover, providing complete enclosure of closer body.  
**Finishes:** Polished stainless steel, satin stainless steel



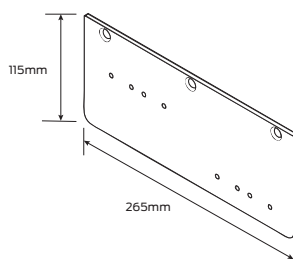
### Adaptor plate 4030-18

Mounting plate required for top jamb mounting where headframe is less than 60mm or a flush ceiling condition exists



### Drop plate 4030-18PA

Mounting plate required for parallel arm mounting configuration where top rail is less than 114mm, measured from the stop. A drop plate requires a 44mm minimum top rail





**ALLEGION™**

PIONEERING SAFETY™

We are  
Allegion